

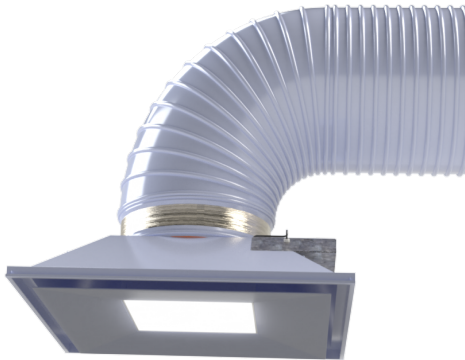
Project: \_\_\_\_\_

Prepared By: \_\_\_\_\_

Date: \_\_\_\_\_

## PRODUCT DESCRIPTION

Introducing the only 2x2, 2-in-1 LED fixture that combines high-efficiency lighting and air delivery in one seamless unit. Perfect for schools, offices, and convention centers, this fixture blends style, practicality, and energy efficiency. With up to 80% energy savings, it offers consistent light output and a smooth installation process that reduces labor time. Fusion Air's 2-in-1 fixture enhances aesthetics by minimizing ceiling interruptions, providing a soft, uniform glow through its contemporary center lens design. It features customizable wattage and color temperature options, making it versatile for any commercial setting—whether in schools, hospitals, or airports.



Flexible duct not included

### Catalog Number:

Base	Lamp Type	Fixture Size	Color temperature
___:1-22	LED	2x2	LKFS 3k,3.5k,4k
___:1-22	LED	2x2	Color Tunable

### Lumens:

\_\_\_:2000L      \_\_\_:2500L      \_\_\_:3000L      \_\_\_:3500L  
 \_\_\_:4000L

### Styles:

**Flange-** Fits standard grid types - for other configurations contact factory

**Controls:** Color toning Controls by others

**Wireless option:** Switch and Module call factory for price

**Duct size:** \_\_\_:10" \_\_\_:9" \_\_\_:8" \_\_\_:7" \_\_\_:6" \_\_\_:5"

**Quantity:** \_\_\_\_\_

### Features:

**Intended use-** New Construction / Remodel

**Construction-** Aluminum

**Finish-** White powder coat - contact factory for custom colors

**Input voltage-** 120-277V/50-60Hz

**Power consumption-** 30W at 4000L lumens

**Total Lumens-** 2000L/2500L/3000L/4000L

**Efficacy-** 133LM/W

**Lamp life-** L90-37,000 hours

**Color temperature-** Lumen Kelvin field selectable 3000k/3500k/4000k & Color-tunable

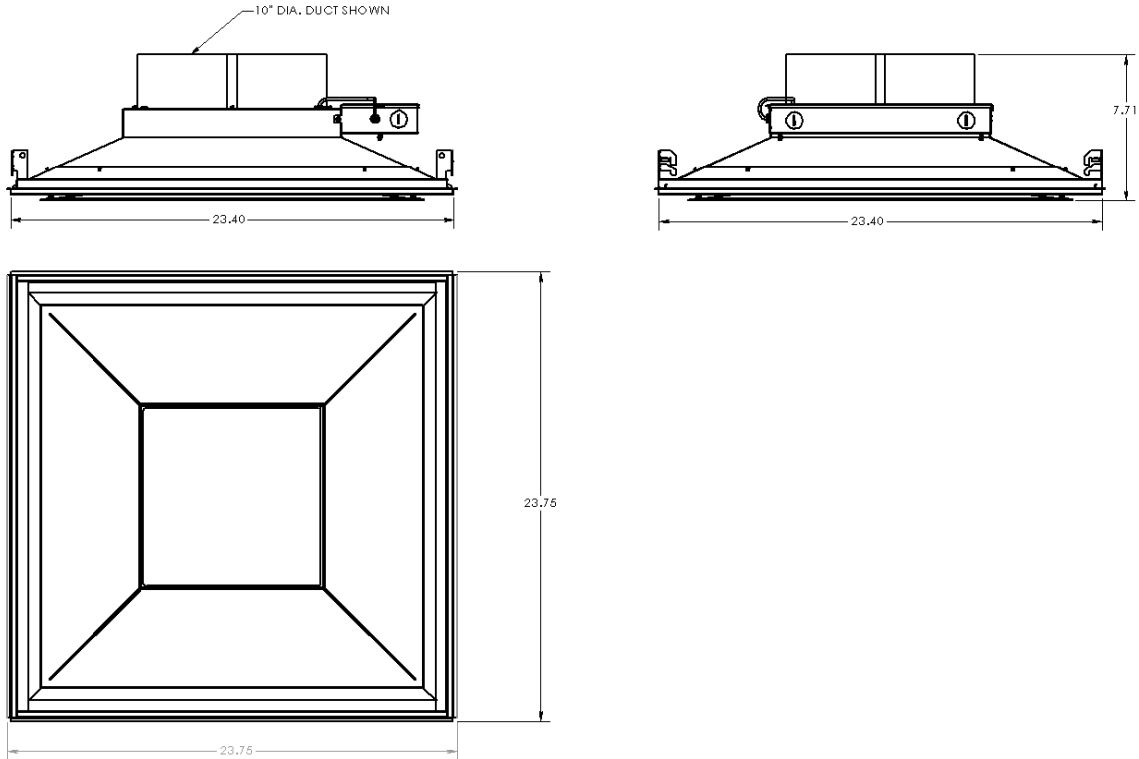
**Dimming options-** 0-10v standard, for Triac or integrated controls contact factory.

**Warranty-** 5-year warranty (Terms and Conditions Apply)

For more information, please visit [FusionAirlighting.com](http://FusionAirlighting.com) or call 360-721-3129 for help.

**PATENT #US11035568B1**

**Dimensions:**



**Fusion-Air HVAC performance:**

Air Volume (CFM)	150	200	250	300	350	400	450	500
Pressure Loss (IN W.G)	0.008	0.014	0.023	0.032	0.044	0.058	0.073	0.090
Sound (NC dB)	20	19	19	23	26	31	34	37
Vertical Throw (FT)	1 / 2 / 4.5	1.5 / 3 / 5	2.5 / 4 / 6	3 / 4.5 / 6	3.5 / 4.5 / 6	4 / 5 / 6.5	4.5 / 5.5 / 6.5	4.5 / 5.5 / 7

